

Top View

1 x 1 1/2 outer gunwale from Bhd 5 to 100mm fwd Bhd 2
Bevel and round off as reqd

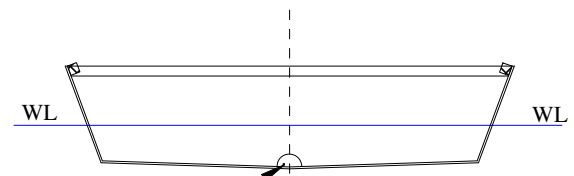
1x1 framing for cockpit floor pre-bevel and fit in sections between bhds

Beam mounting not shown for clarity, see later sheet

11/2 x 1 kingplank bevel as reqd

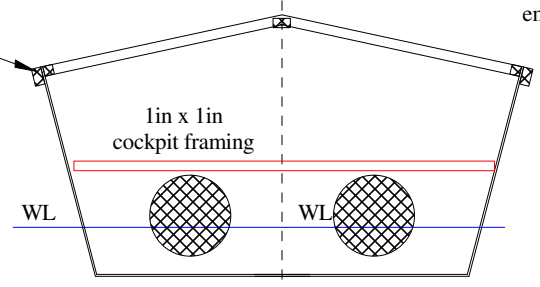
1 x 1 1/2 outer gunwale from Bhd 5 to 100mm fwd Bhd 2
Bevel and round off as reqd

100 x 75 mast step flat base
3 x 6mm ply plus thickened epoxy as reqd
use 12mm dia rod as mast step embed into kingpost

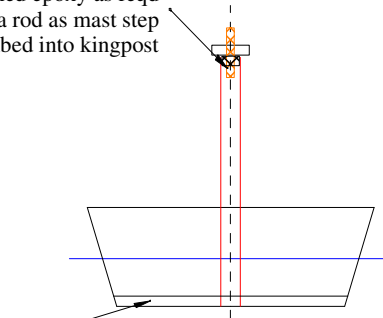


Bhd 4

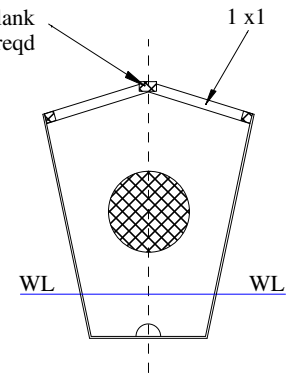
limber and lighening holes as reqd



Bhd 2

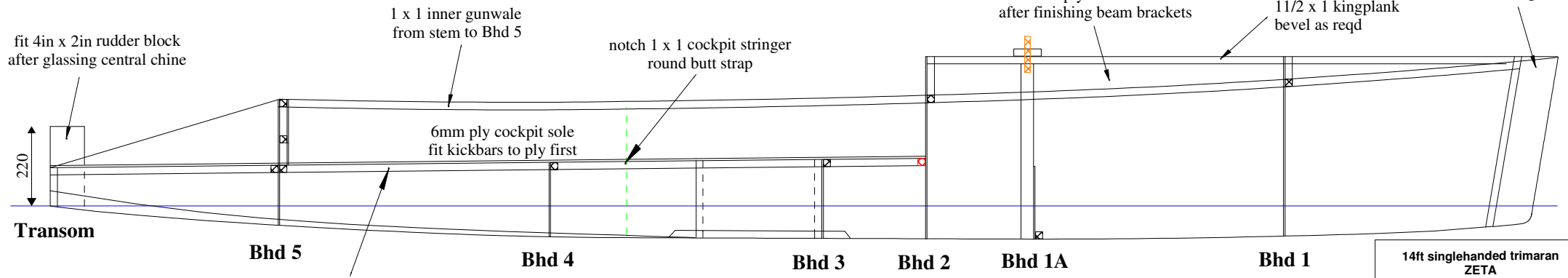


Bhd 1A



Bhd 1

outer stem western red cedar or foam glassed over 3 x 200g



Side View at main hull CL looking to port side

1x1 framing for cpit floor fit in setions between bhds after glassing